
S5A 4G LTE GPS Tracker

User Manual

For Vehicle/Motorcycle/Scooter





1. Features

- ◇ Real-time tracking by APP/Platform
- ◇ Movement/Ignition on/off alarm
- ◇ Speeding / ACC detection
- ◇ Power Cut alarm with internal battery
- ◇ Angle change update location
- ◇ Disable fuel or electricity

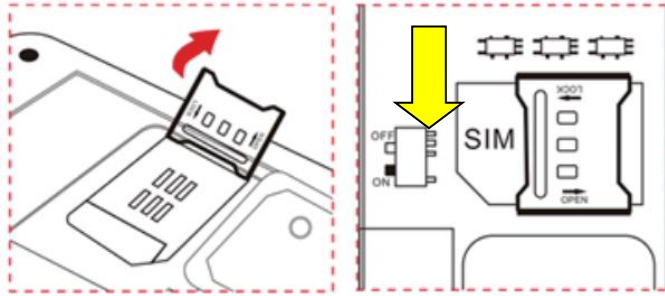
2. Specs.

Content	Specs.
Dim.	79*34*18mm
Network	LTE/GSM/GPRS
Latin-US version Frequency	LTE-FDD B1/B2/B3/B4/B5/B7/B8/B28/B66 LTE-TDD B34/B38/B39/B40/B41 GSM :850/900/1800/1900Mhz
GPS channel	66
Tracking sensitivity	-165dBm
Location accuracy	<5 meters CEP
Time To First Fix(open sky)	Cold status <35s Hot status <1s
Working voltage	9-90VDC
GPRS Protocol	Class12, TCP/IP
Operating temp.	-20°C to +70°C
Back up battery	150mAh /3.7V Li-Polymer battery
Standby & Working consumption	5mA~50mA
Protocol type	GT06 series protocol

3. Install SIM Card

- Preparation: insert 4G SIM card with activated GPRS data; Make sure SIM card with full balance; If SIM card with PIN code, must remove it advance.
- Open back cover, switch ON/OFF button to “ON” place.

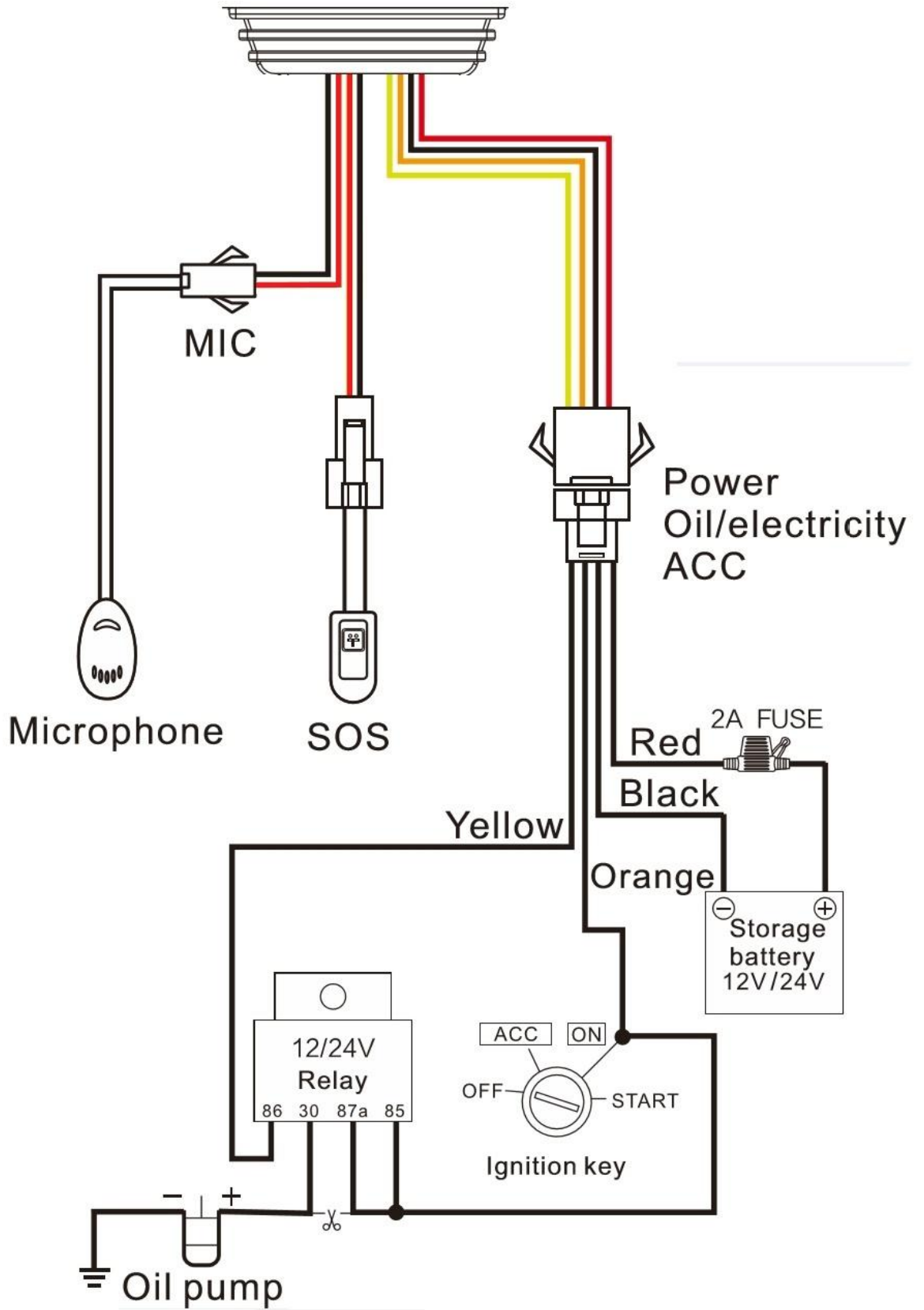
Reminder: make sure inserting SIM card firstly, then power on device, otherwise it maybe lead to recognize SIM failed.

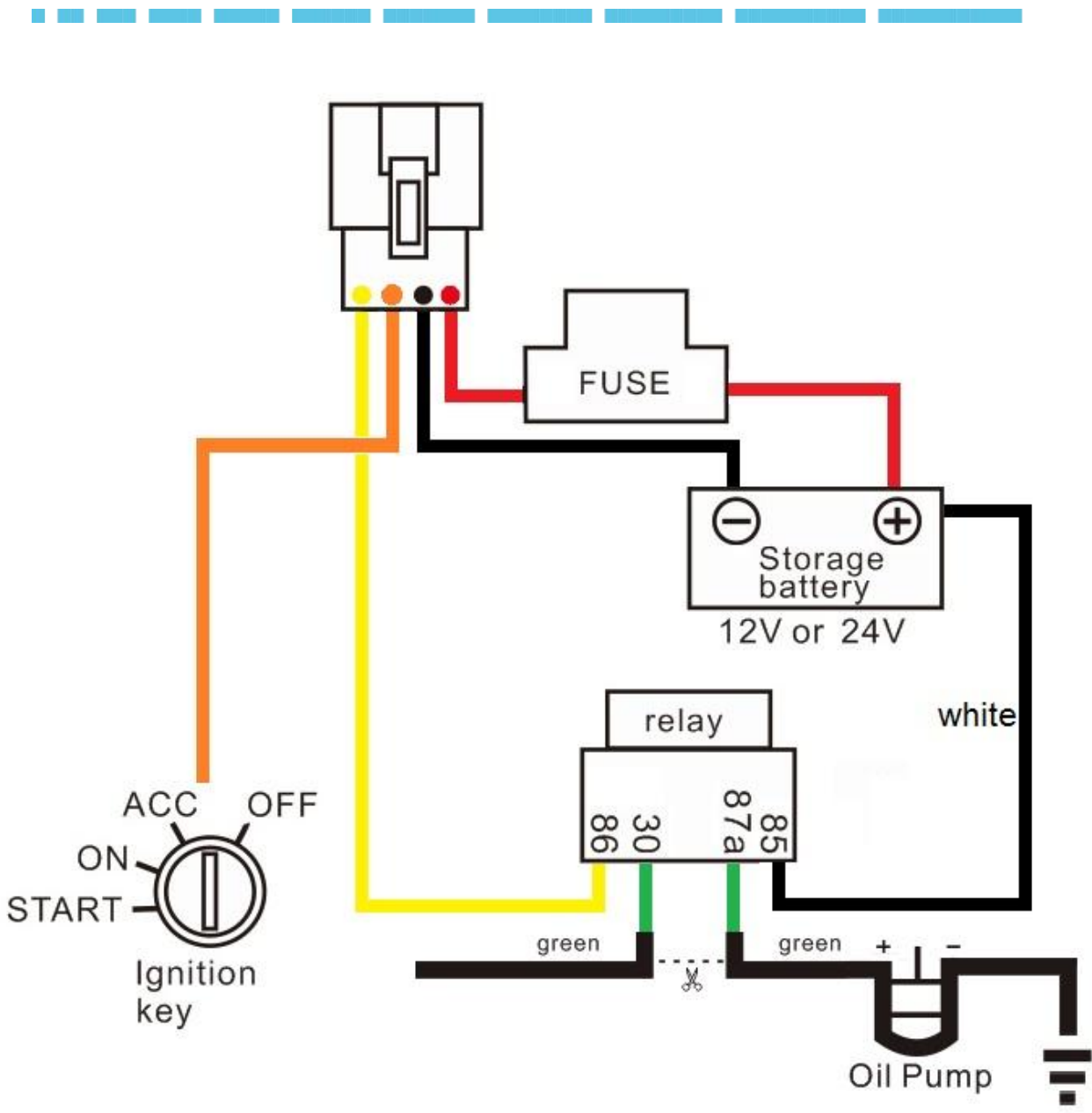


4. Device light description

Light	Signal	Normal	Abnormal
Yellow	GSM signal	3s flashing	Constant on: no network
Blue	GPS signal	Flashing	Constant on/or no light: not have GPS signal
Red	Power signal	Constant on	flashing: disconnected power

5. Wiring diagram

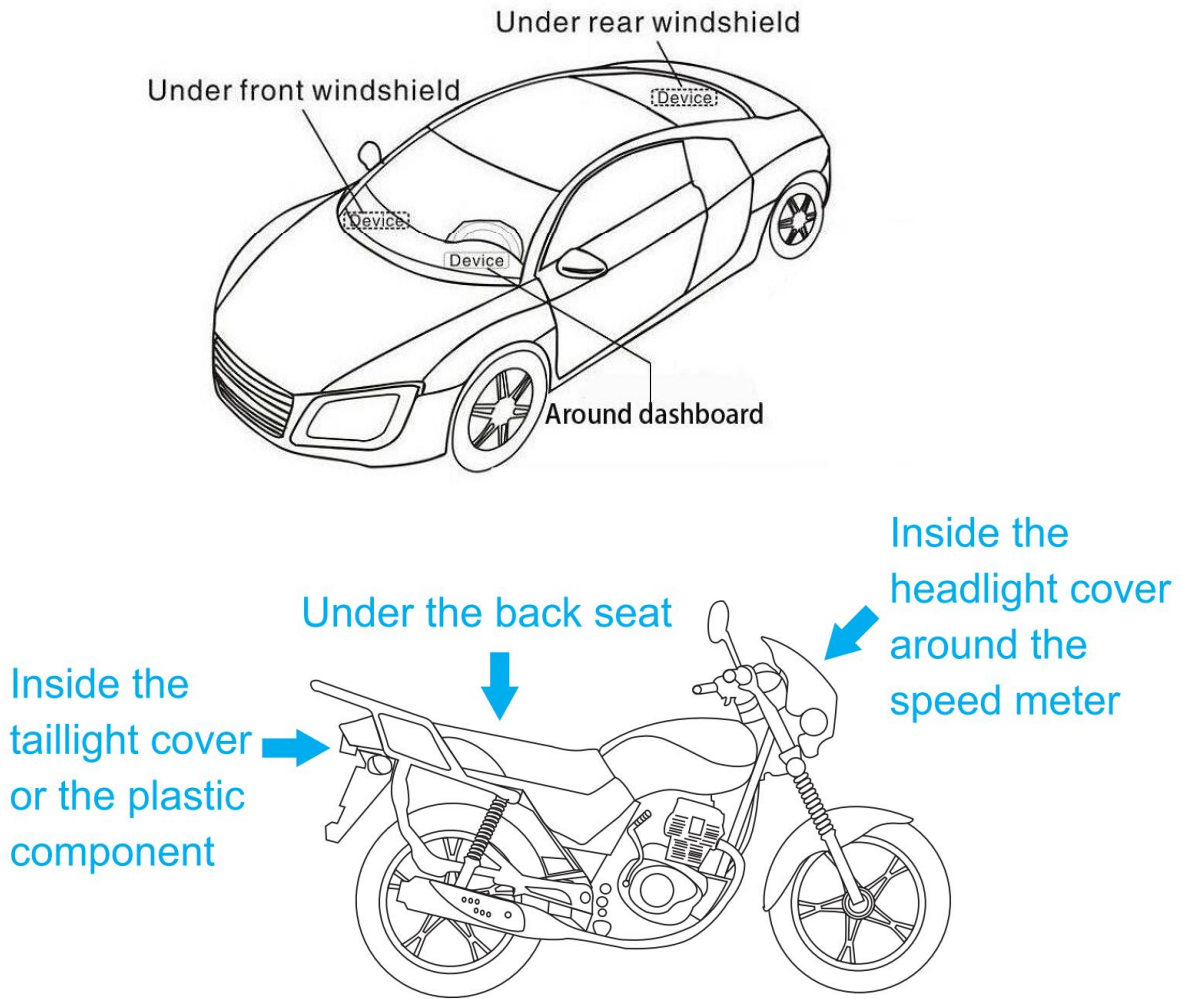






6. Installation

The device has built-in GSM and GPS antenna, make sure front side upward and there is no metal shielding.



7. Command List

Note: All Alarms only will be sent to admin Number Only

Function	SMS command list
APN Inquire	APN#
APN set up	APN,cmnet,#
	APN,cmnet,aaa,bbb#
Server parameter query	SERVER#
Server parameter settings	SERVER,1,domain,port,0#
	SERVER,0,IP,port,0#

Address query(foreign)	666#
	URL#
	POSITION#
Status query	STATUS#
Version query	VERSION#
Get Google Link	WHERE#
Query parameter settings	PARAM#
Restart command	RESET#
Query the oil and electricity control status	RELAY#
Cut/Resume fuel or electricity	RELAY,A#
	A=0/1
	0 resume fuel 1 cut fuel
Add center number1	CENTER,A,center number#
Delete center number1	CENTER,D#
Add center number2	CENTER,A2,center number#
Delete center number2	CENTER,D2#
Add center number3	CENTER,A3,center number#
Delete center number3	CENTER,D2#
Inquiry center number	CENTER#
set up update interval	TIMER,T1,T2#
	T1=5~60 seconds; ACC ON upload interval
	T2=5~3600seconds; ACC OFF upload interval
Inquire update interval	TIMER#
Turn on vibration alarm settings	SENALM,A,M#
	A=ON
	M=0~2; alarm mode,

	0 for GPRS,1 SMS+GPRS,2 GPRS+SMS+CALL;
Turn off vibration alarm	SENALM,OFF#
Query vibration alarm setting parameters	SENALM#
Enable power cut alarm settings	POWERALM,A,M,T1,T2,#
	A=ON
	M=0~2; 0 for GPRS,1 SMS+GPRS,2 GPRS+SMS+CALL
	T1=2~60seconds; power failure detection time T2=1-3600seconds minimum charging time
Turn off power cut alarm	POWERALM,OFF#
Query the power cut alarm status	POWERALM#
Turn on ACC on alarm	ACCALM,A,M#
	M=0~3
	0 : for GPRS,
	1 : GPRS+SMS,
	2 : GPRS+CALL, 3 : GPRS+SMS+CALL
Close ACC on alarm	ACCALM,OFF#
Inquire ACC on alarm	ACCALM#
turn on ACC off alarm	ACCOFFALM,A,M#
	M=0~3
	0 : for GPRS,
	1 : GPRS+SMS,
	2 : GPRS+CALL, 3 : GPRS+SMS+CALL
Close ACC off alarm	ACCOFFALM,OFF#
Inquire ACC off alarm	ACCOFFALM#
Set sleep mode	SZCS#SLPDISCONNECT=A
Query the sleep working mode	CXCS#SLPDISCONNECT
SMS time zone setting	GMT,A,B,C#



SMS time zone query	GMT#
GPRS Time zone settings	SZCS#GT06GPRSGMT=A
GPRS Time zone query	CXCS#GT06GPRSGMT